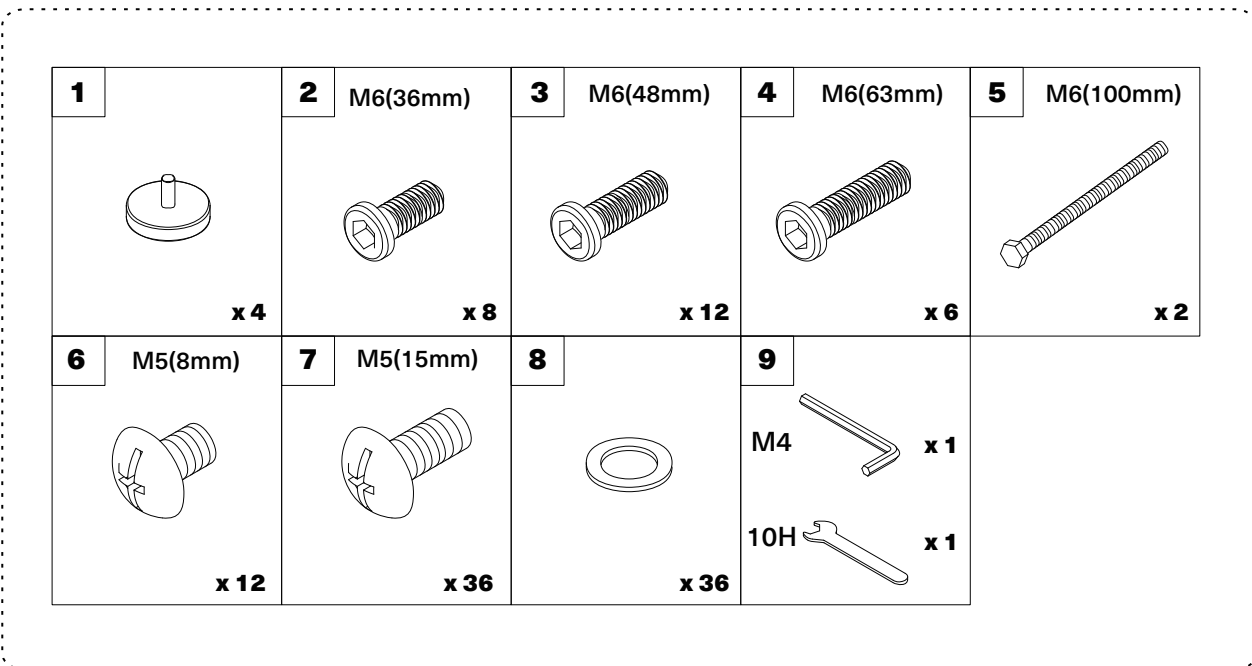
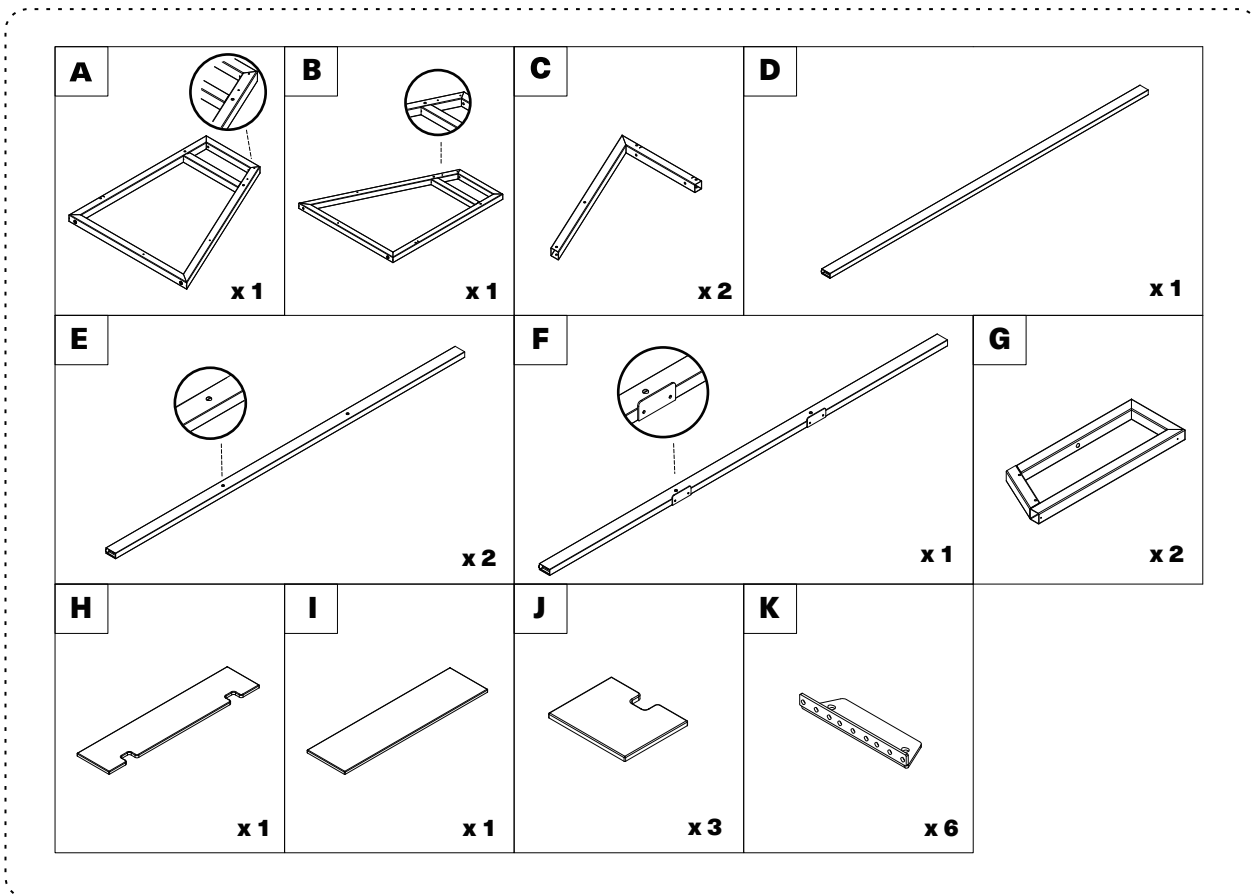


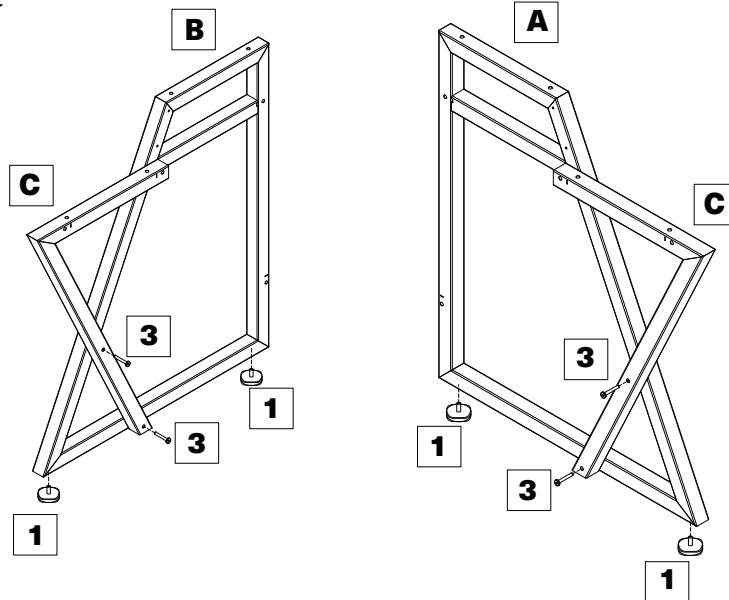


**wavebone**  
For Your Long Way to The Top

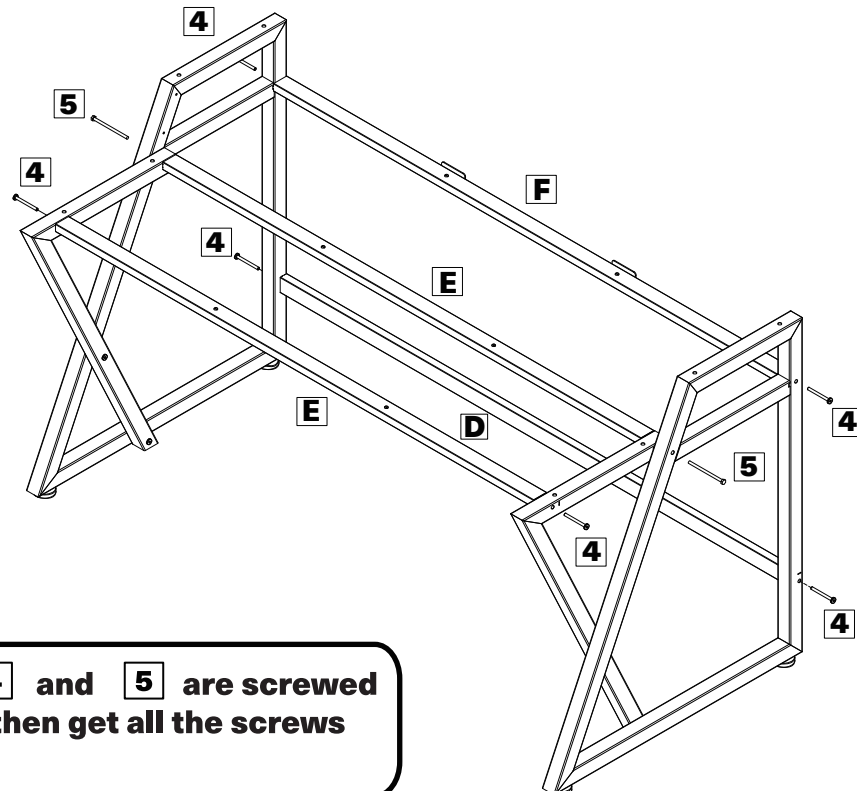
# HEADQUARTER™



## STEP 1

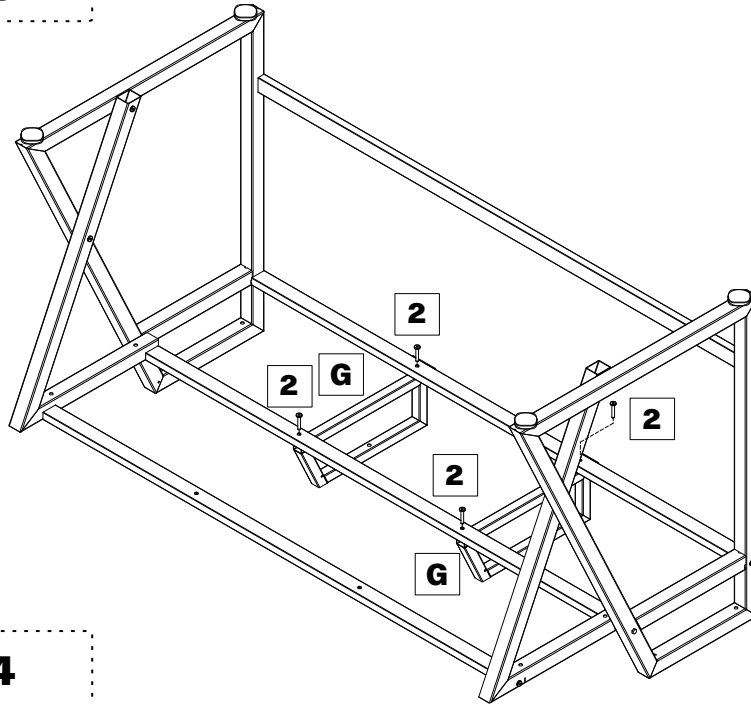


## STEP 2

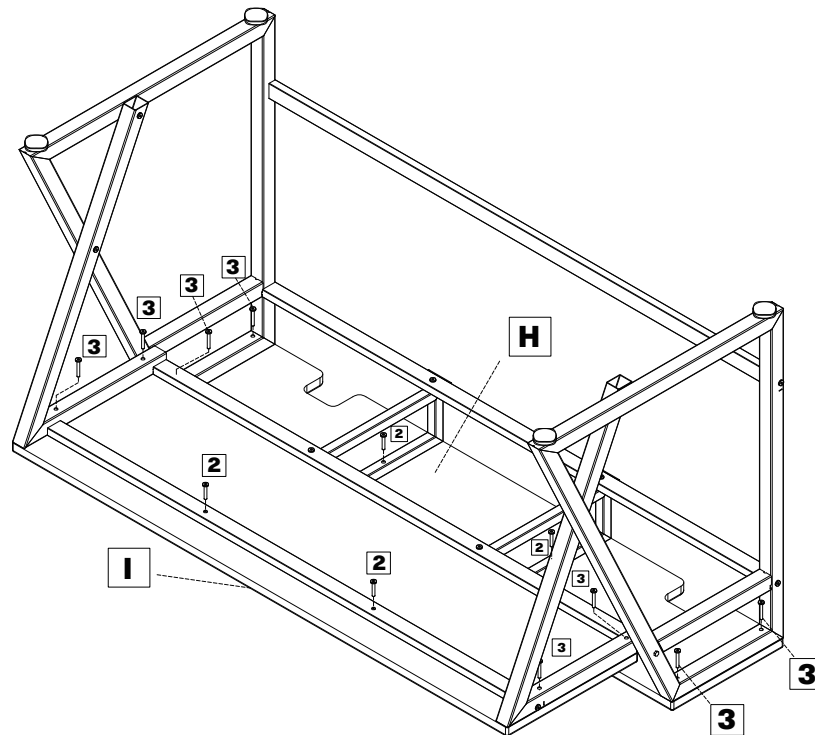


Ensure that every **4** and **5** are screwed on correct location, then get all the screws tightened well.

## STEP 3



## STEP 4



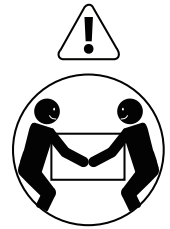
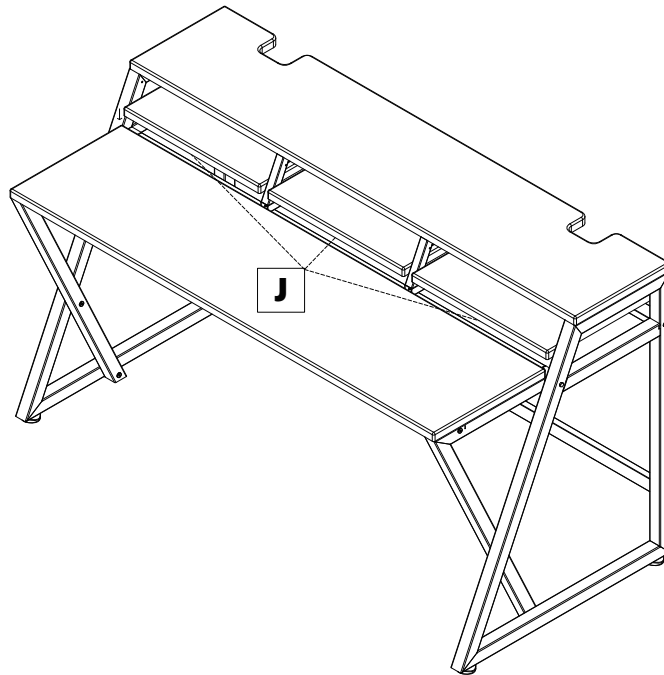
# HEADQUARTER™



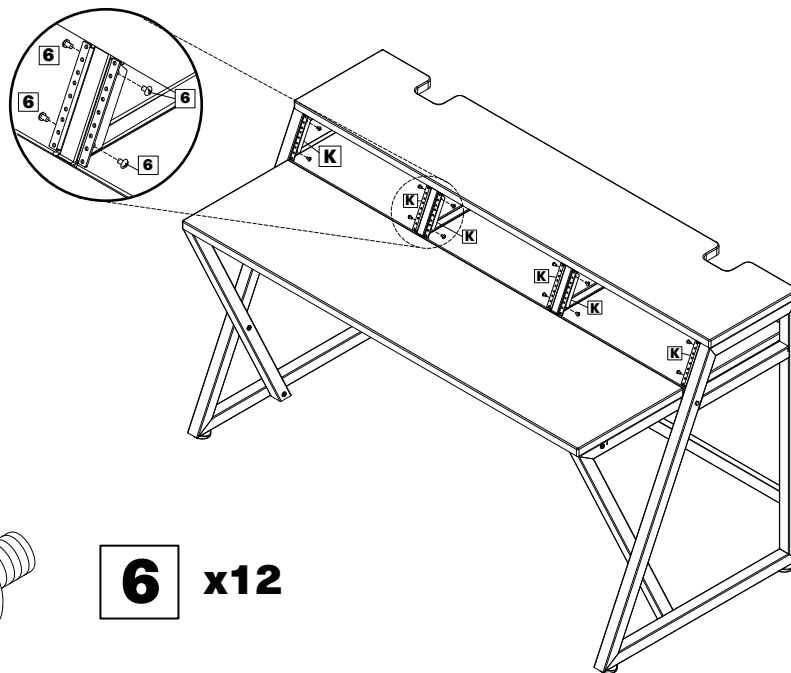
## STEP 5

AFTER ASSEMBLY, WE PROVIDE THE FOLLOWING TWO USAGE METHODS

- 1 Put **J** directly into the opposite positions

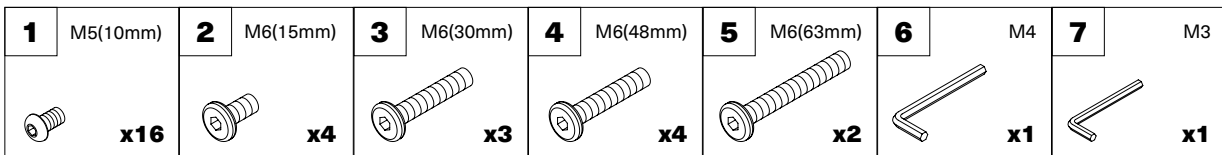
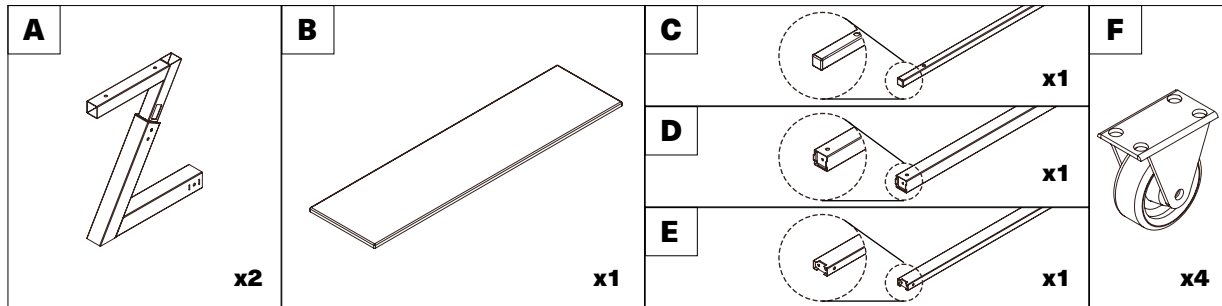


Lift with help  
Recommend



- 2 Replace **J** and lock up **K** with **6** as support, then you can insert racks in.

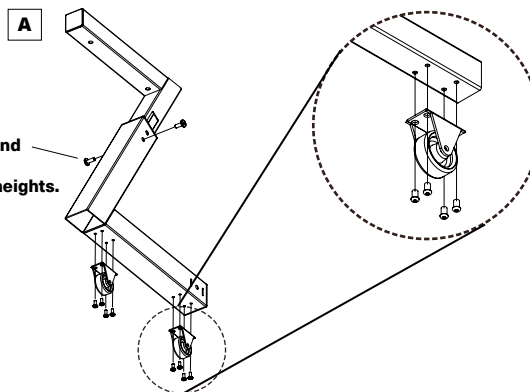
Please follow the instruction for desk installation and check whether there is any component missing before installation



## STEP 1

- A** x2
- F** x4
- 1** x16

⚠ Loose the pre-lock screws and tightened them to the holes according to your preferred heights.

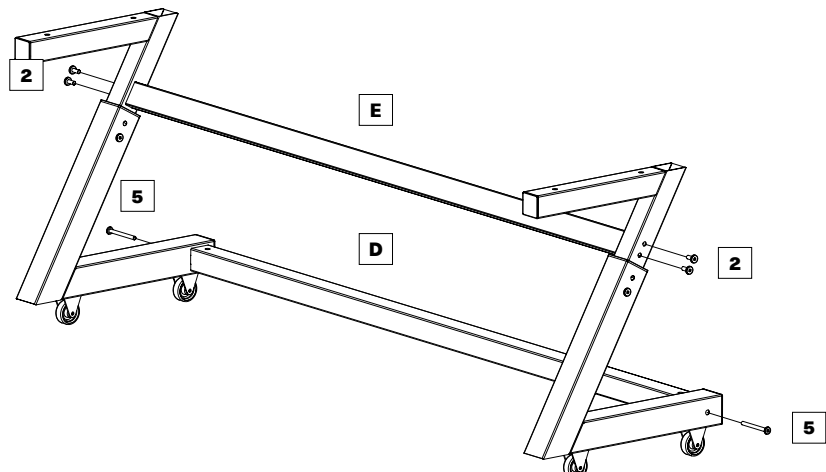


**F** + **1**

Please ensure that 4 screws are located in correct positions, then tightened every screws.

## STEP 2

- D** x1
- E** x1
- 2** x4
- 5** x2

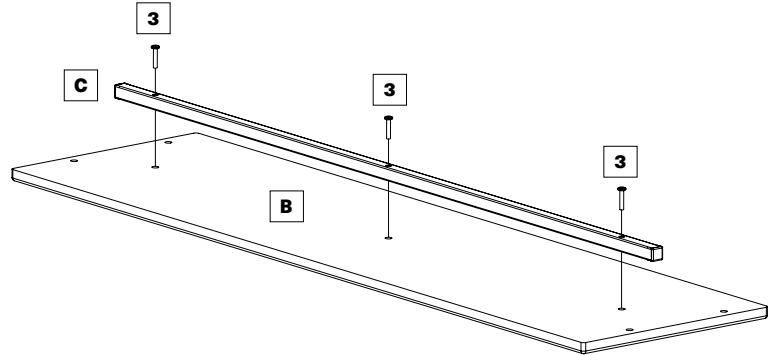


## STEP 3

**B** x1

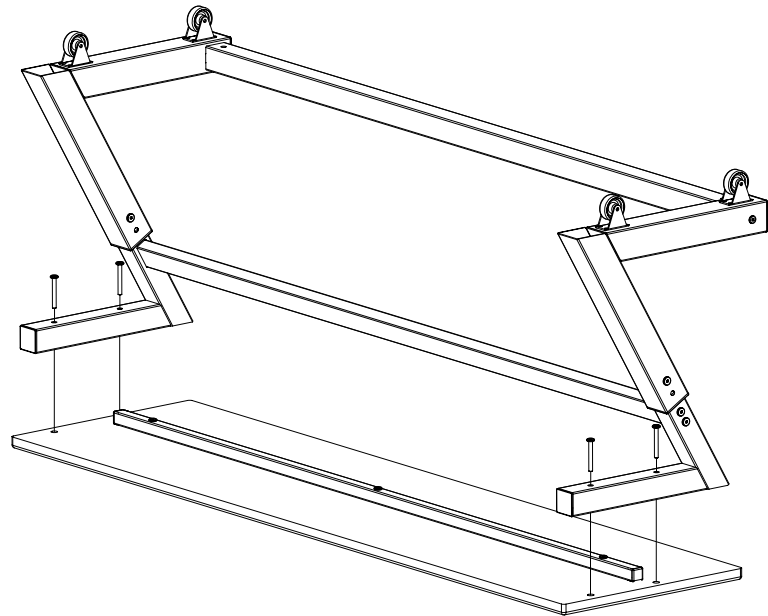
**C** x1

**3** x3

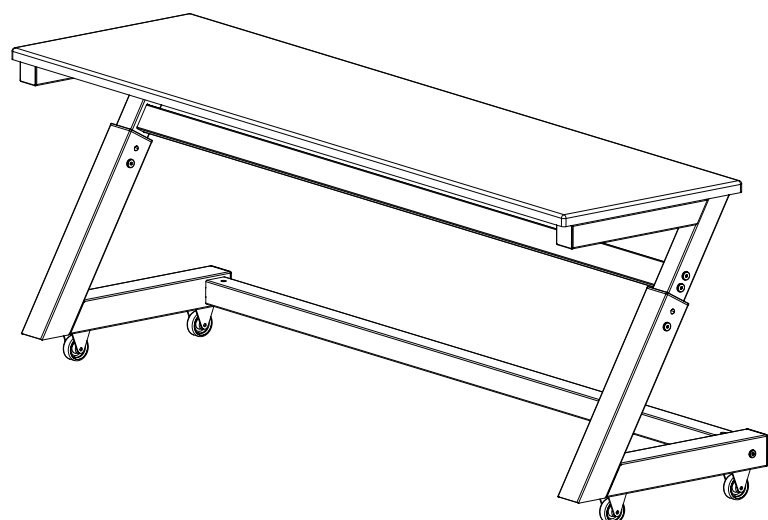


## STEP 4

**4** x4



## STEP 5



LIFT WITH HELP