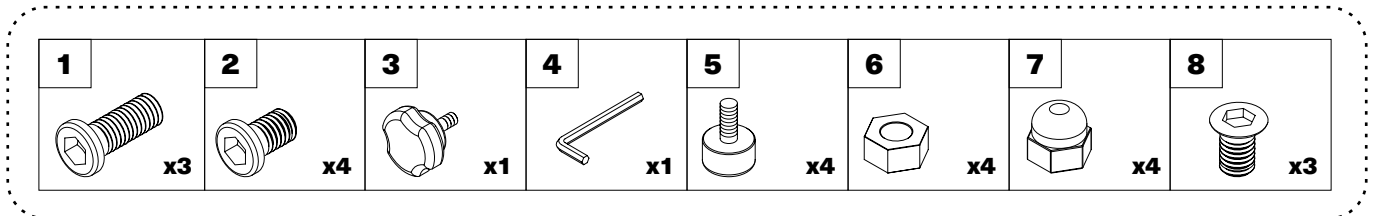
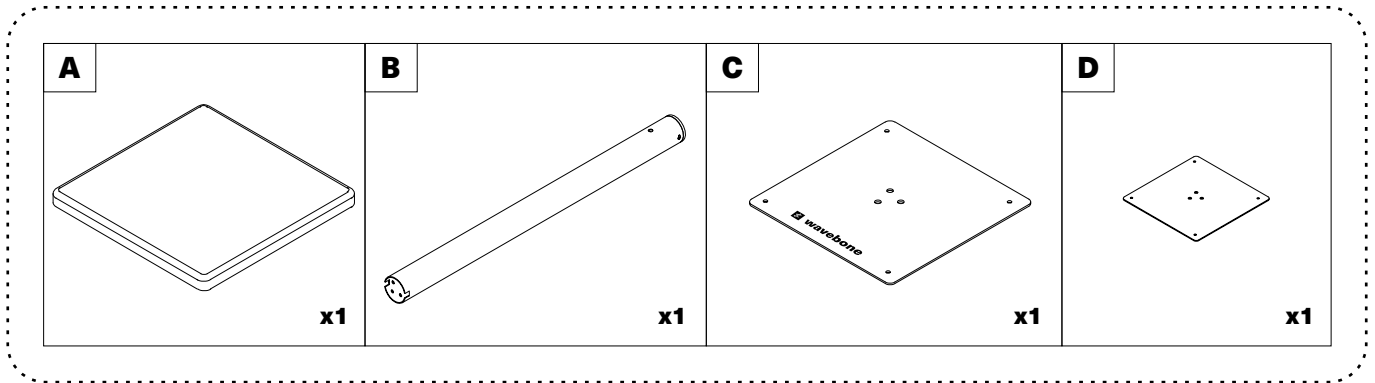


Grand Gemini™

Studio Monitor Stand



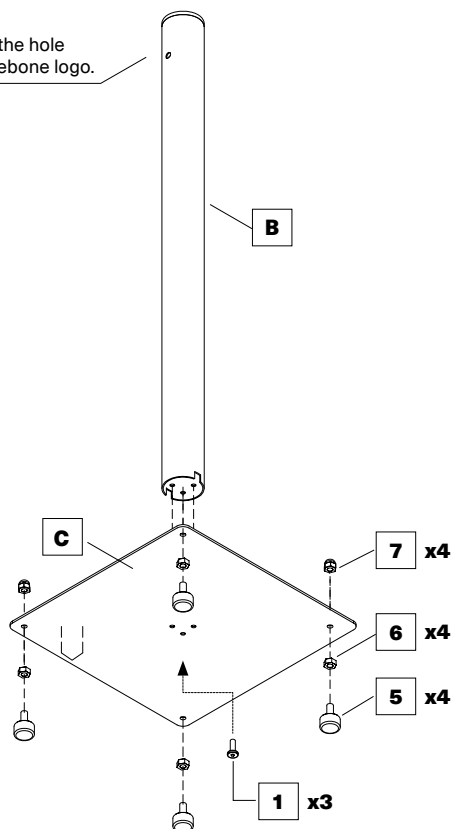
Please follow the instruction for stand installation and check whether there is any component missing before installation.



STEP 1

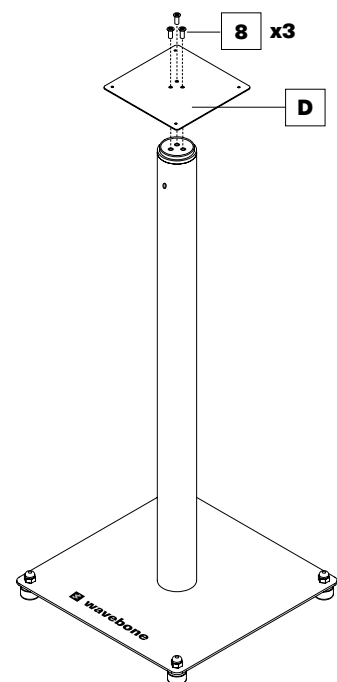
- B** x1
- C** x1
- 1** x3
- 5** x4
- 6** x4
- 7** x4

Please, face the hole with the wavebone logo.



STEP 2

- D** x1
- 8** x3



Grand Gemini™

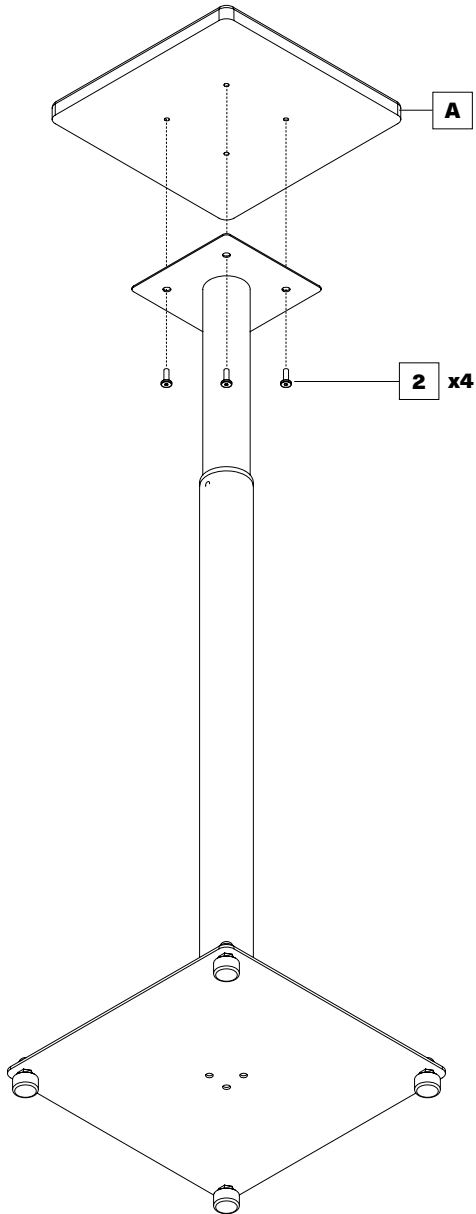
Studio Monitor Stand



STEP 3

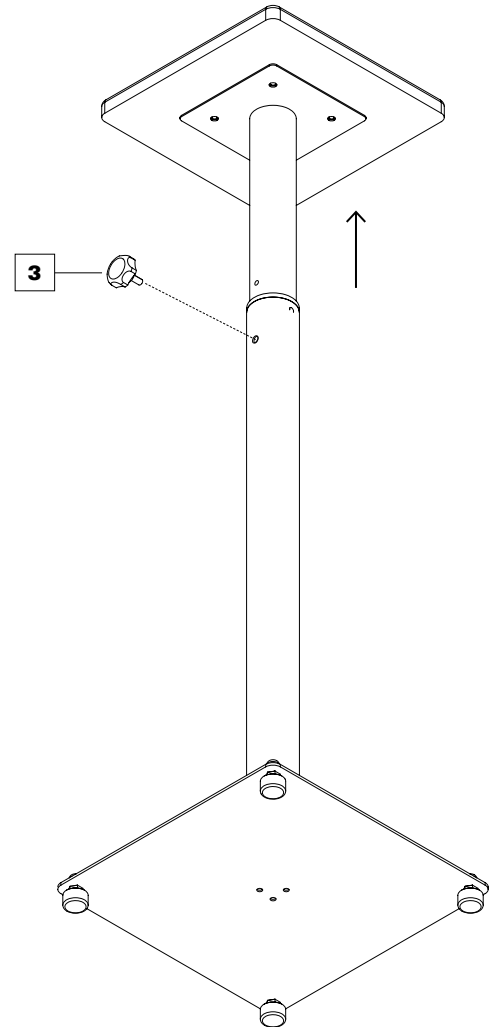
A x1

2 x4



STEP 4

3 x1



Set up different heights from top to ground of Grand Gemini by screwing into the according point.

Total Height

- g.** 43.7 in (111 cm)
- f.** 41.7 in (106 cm)
- e.** 39.8 in (101 cm)
- d.** 37.8 in (96 cm)
- c.** 35.8 in (91 cm)
- b.** 33.9 in (86 cm)
- a.** 31.8 in (81 cm)

