



## evolution wired e 945



The e 945 is a super-cardioid lead vocal stage microphone specially designed to perform under pressure while exhibiting a naturally smooth response. Made for the working musician. Excellent sound results guaranteed, day to day, 365 days a year. First choice for rental companies.

### FEATURES

- Metal construction: Rugged and reliable
- Shock-mounted capsule: Low sensitivity to impact and handling noise
- Super-cardioid pick-up pattern: Insulation from other on-stage signals
- Hum compensating coil: Reduces electrical interference
- Neodymium ferrous magnet with boron: Keeps microphone stable regardless of climate
- Falcon ring: Consistent sound over time
- Extremely vivid, crisp sound with drums and percussions

### SPECIFICATIONS

Transducer principle	dynamic
Frequency response	40 - 18,000 Hz
Pick-up pattern	super-cardioid
Sensitivity (free field, at 1 kHz)	2.0 mV/Pa $\pm$ 3 dB
Nominal impedance (at 1 kHz)	350 $\Omega$
Min. terminating impedance	1 k $\Omega$
Connector	XLR-3
Dimensions	$\varnothing$ 47 x 186 mm
Weight	365 g

### DELIVERY INCLUDES

- e 945
- pouch
- MZQ 800 microphone clamp
- quick guide
- safety guide

### ARCHITECT'S SPECIFICATION

The microphone shall be a dynamic supercardioid designed for lead vocal stage use. It shall have a rugged metal body and a shock-mounted capsule and shall be fitted with a hum compensating coil.

The frequency response shall be 40 Hz – 18,000 Hz and the sensitivity (free field, no load) shall be 2 mV/Pa at 1 kHz. Nominal impedance shall be 350  $\Omega$ , with a min. terminating impedance of 1 k $\Omega$ .

The microphone shall provide a 3-pin XLR connector. Dimensions shall be 47 x 186 mm (1.85" x 7.32"). Weight shall be 365 grams (12.86 oz).

The microphone shall be the Sennheiser e 945.

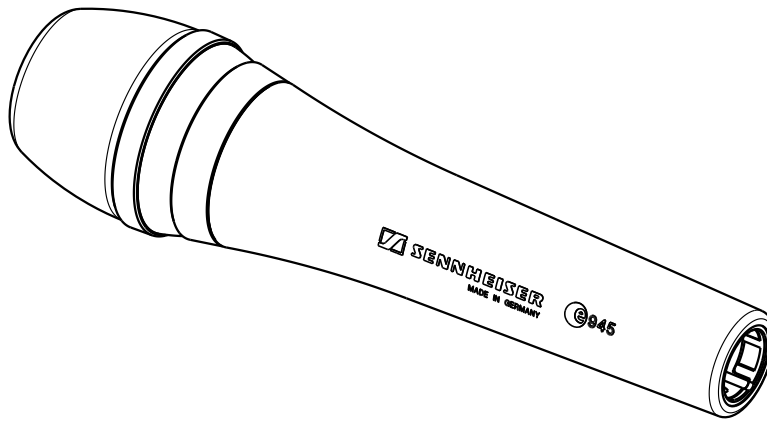
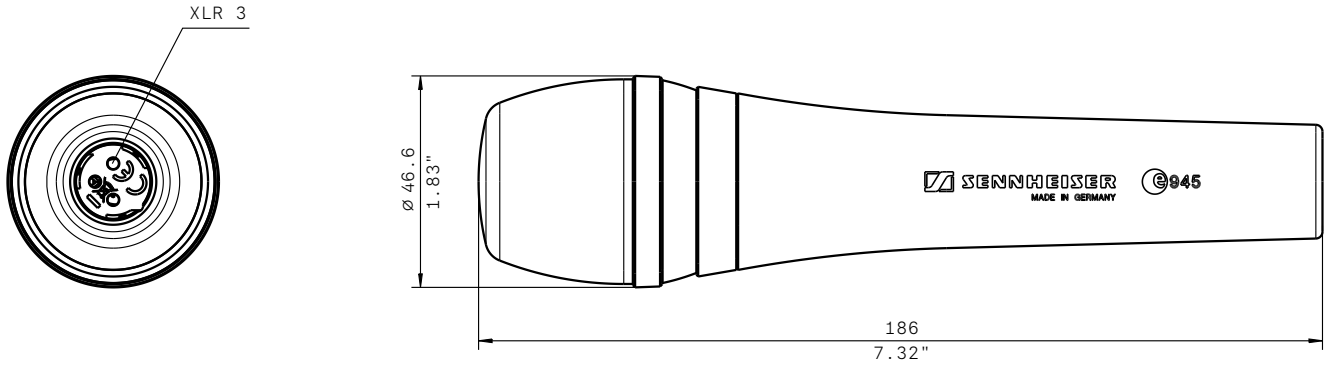
### ACCESSORIES

MZQ 800	Microphone clamp	Art. no. 576183
MZW 4032-A	Foam windshield, anthracite	Art. no. 002978
MZW 4032-C	Foam windshield, blue	Art. no. 002980

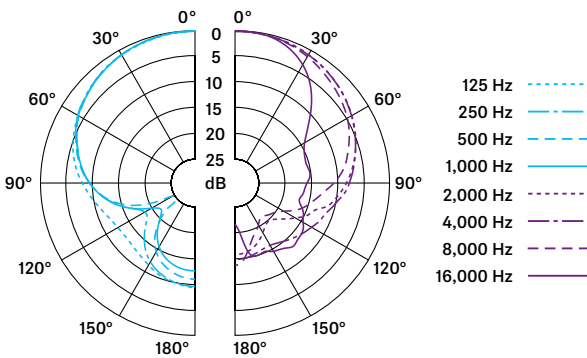


# evolution wired e 945

## DIMENSIONS



## POLAR PATTERN



## FREQUENCY RESPONSE

